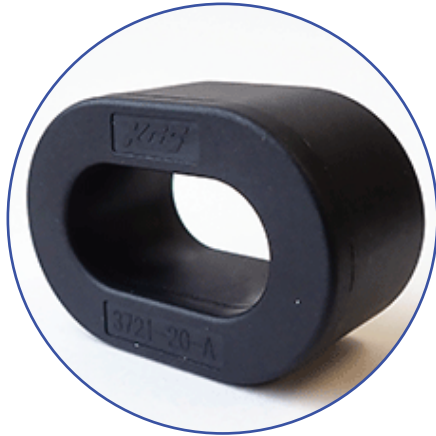




# Broad Effect Core

## BRE-3721-20-A79-BK

**NEW**

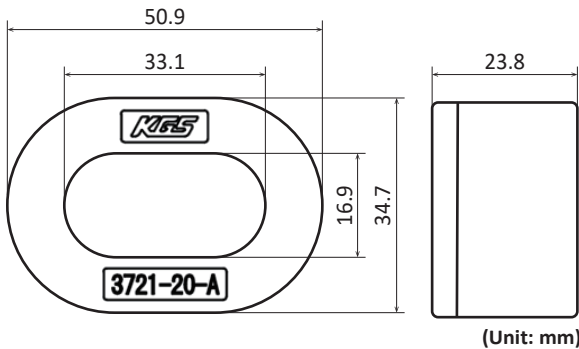


### Oval Nanocrystalline Alloy Core

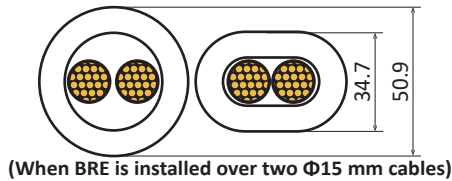
- Oval-shape provides space-saving, lower profile than ring cores
- With high impedance, effective for suppressing noise across a broad frequency range
- Vibration resistance complies with in-vehicle vibration test standard (ISO 16750-3 II)
- Stable EMI performance from low to high temperature range
- Operating temperature:  $-40^{\circ}\text{C}$  to  $+125^{\circ}\text{C}$
- UL94V-0 rated plastic case with excellent electrical insulation

### Specifications

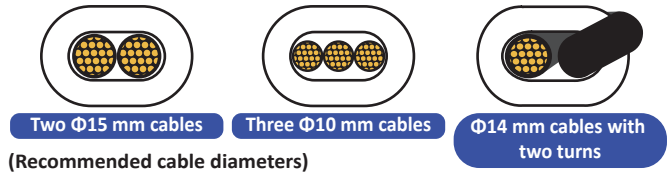
#### Dimensions



#### Comparison with Ring Core



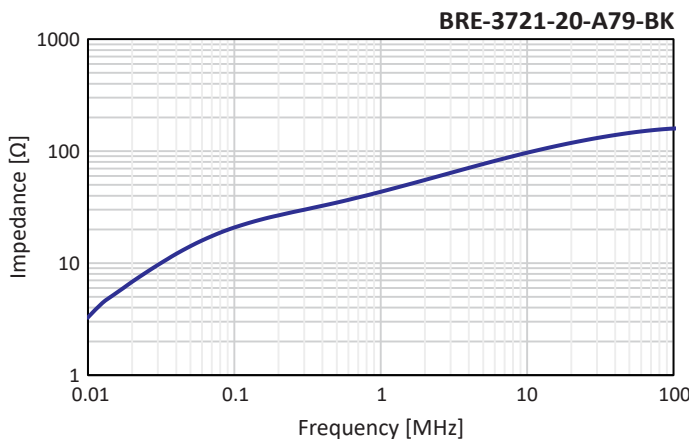
#### Cable Insertion examples



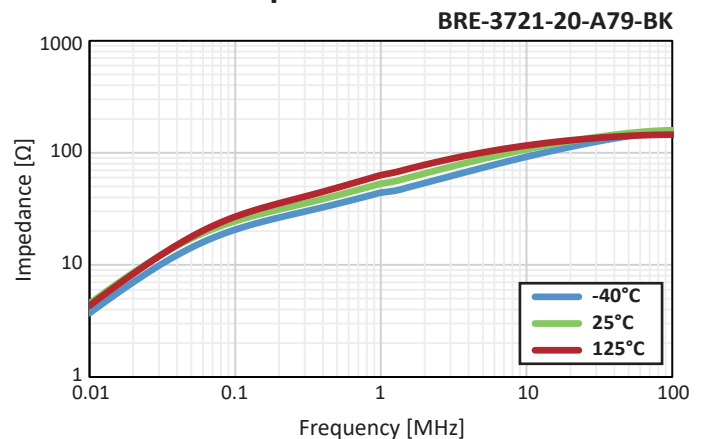
#### Application Examples

Inverters, servo amplifiers, switching power supplies

### Impedance vs Frequency



### Impedance vs Frequency at Different Temperatures



Please request for detailed product specification data prior to purchase

All statements, specifications, properties, technical information, and recommendations herein are based on tests; however, the accuracy and completeness are not guaranteed and are subject to change without notice due to product improvement and specification change. This statement is made in lieu of all warranties, expressed or implied, including the implied warranties of marketability, and fitness for purpose. KITAGAWA INDUSTRIES America, Inc. obligation under this warranty shall be limited to replacement of product that proves to be defective. Prior to use, the user shall determine the suitability of the product for its intended use, and the user assumes all risk and liability whatsoever in connection therewith. KITAGAWA INDUSTRIES America, Inc. shall have no liability for any injury, loss, or damage arising out of the use of or the inability to use the products. No statement or recommendation contained herein shall have any force or effect unless in an agreement signed by officers of seller and manufacturer. Reprinting or copying any content in KGS America catalogs is strictly prohibited without prior consent. KITAGAWA INDUSTRIES America, Inc. logos and markings are registered trademarks of KITAGAWA INDUSTRIES America, Inc. (dba KGS America) or an affiliate company thereof. KGS America logo may not be used or copied under any circumstances.

Please contact the sales department at KITAGAWA INDUSTRIES America, Inc. for the use of our products prior to selecting the parts for your application.