

Noise suppression

Nanocrystalline alloy core

New Product

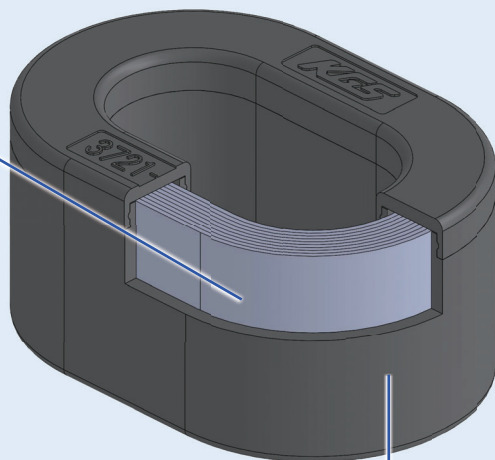
EMC-08

High-performance, low-profile filter

Point 1

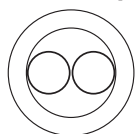
Nanocrystalline alloy core with high magnetic permeability

- High impedance in a wide frequency band.
- Temperature has only a small effect on the performance.



Point 2

Ideal elliptical shape for positive/negative lines

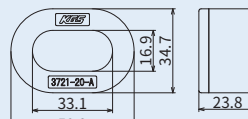


Toroidal shape



Elliptical shape

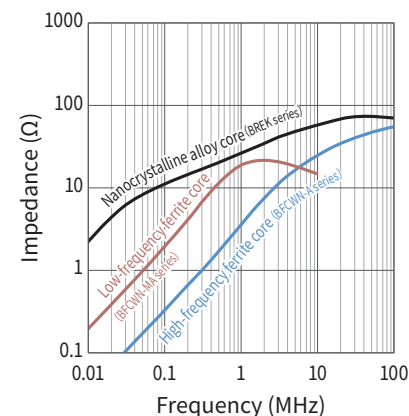
40% reduction in height



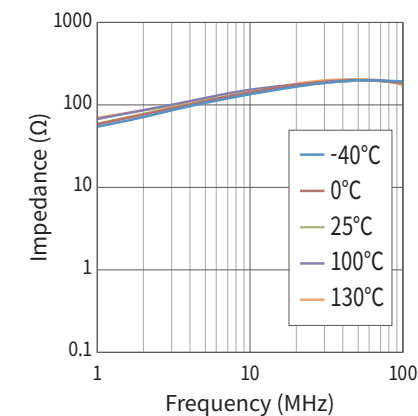
BRE-3721-20-A79-BK

Point 1

Electrical Properties



Temperature Properties



※ This is a graph comparing impedance characteristics with identical shapes

Noise attenuation effect

