

Noise suppression

Nanocrystalline alloy core

New Product

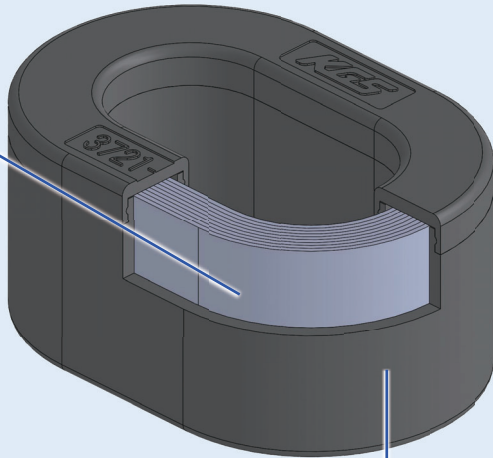
EMC-08

# High-performance, low-profile filter

## Point 1

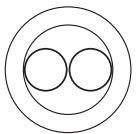
Nanocrystalline alloy core with high magnetic permeability

- High impedance in a wide frequency band.
- Temperature has only a small effect on the performance.



## Point 2

Ideal elliptical shape for positive/negative lines

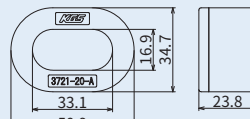


Toroidal shape



Elliptical shape

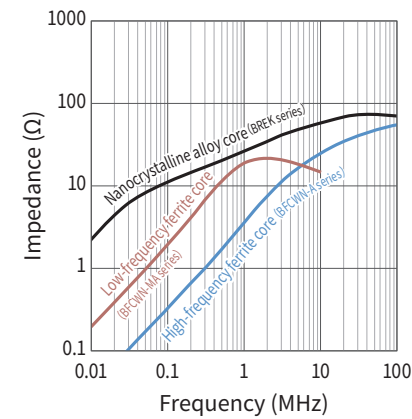
40% reduction in height



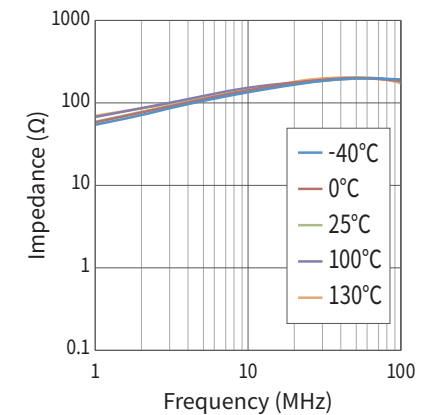
BRE-3721-20-A79-BK

## Point 1

### Electrical Properties

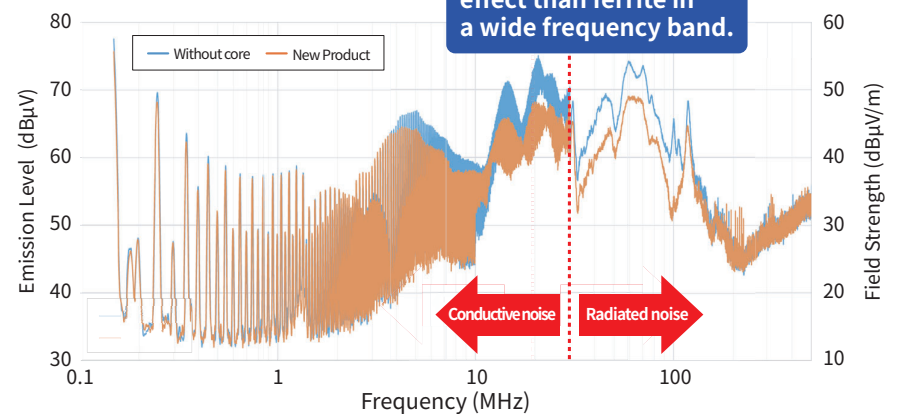


### Temperature Properties



※ This is a graph comparing impedance characteristics with identical shapes

### Noise attenuation effect



Higher noise reduction effect than ferrite in a wide frequency band.

Conductive noise

Radiated noise