

AC CORD CLAMP ACCD86AS



Applications Features

Prevents power socket from coming off the inlet.

Socket gripper can be moved back and forth by lever operation.

Standard material : PA66 (Color : Black)



Snap-on mounting



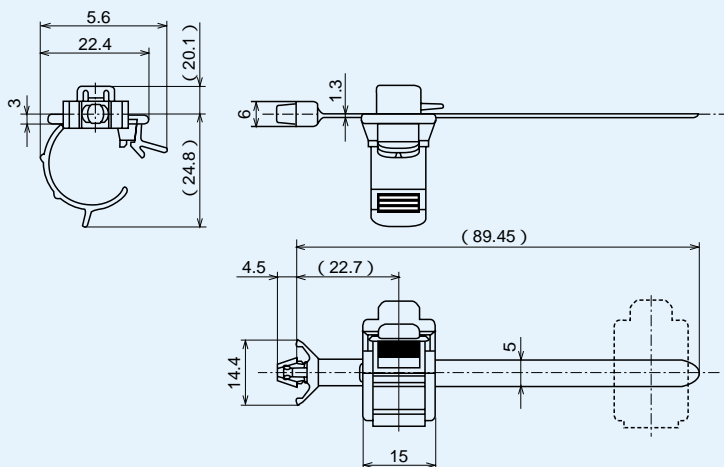
V-2

UL94 recognized materials

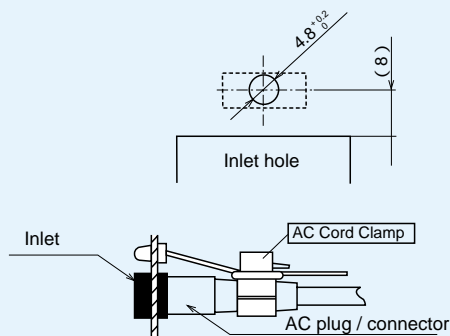
Specification

Please refer to the specifications table below.

For details, please refer to the specifications table below.



Specification diagram



Part number	Hole diameter	Panel thickness	Package Qty.
ACCD86AS	4.8	t0.8 ~ 1.6	50

(Unit:mm)

